



DATA SHEET

LOGITECH TAP ACCESSORIES

With a range of mounting and cabling options, you can integrate and secure Tap in almost any room. Accessories for Tap promote a clean and clutter-free meeting room appearance.

CUSTOMIZE TAP TO YOUR MEETING SPACES

Logitech Tap delivers one-touch join, calendar integration, instant content sharing, and always-on readiness to meeting rooms running Google Meet, Microsoft Teams Rooms, Zoom Rooms, and other supported video conferencing room solutions. And with accessories for Logitech Tap, you get additional versatility to ensure Tap provides a consistent user experience for rooms of all shapes and sizes across your entire deployment.

Secure Tap in place with the Table Mount or raise the viewing angle of Tap from 14° to 30° for better visibility on deeper tables with the Riser Mount. In smaller rooms, the Wall Mount preserves table space.

However your meeting rooms are configured, commercial-grade cabling for Tap allows you to position meeting room equipment, like Tap, the conference camera, or meeting room computer, without the constraints of power outlets, mounts, or room and table design.



TABLE MOUNT

Low-Profile with Pivot: Preserves Tap's sleek appearance and 14° screen angle while swiveling 180° for user convenience.

Fits Most Tables: Adjusts to tables up to 50mm (2 in) in thickness, and through grommets from 51 - 89mm (2 - 3.5 in) in diameter.

Cable Management: Supports down-routing of cables through the grommet for a clean appearance.

Product Dimensions

Tap with Table Mount
2.4 x 9.6 x 7.0 in
61 x 244 x 179 mm

Compatibility

Logitech Tap
Table Thickness: 0.75 - 2.0 in (20 - 50 mm)
Grommet Diameter: 2.0 - 3.5 in (51 - 89 mm)

Inside the Box

Table Mount Assembly
Cable Cinch
Documentation

Warranty

2-year limited hardware

Part Number

939-001811

Product Information

www.logitech.com/tap-table-mount

RISER MOUNT

Low-Profile with Pivot: Elevates Tap to a 30° screen angle for better visibility in larger rooms, while swiveling 180° for user convenience.

Fits Most Tables: Adjusts to tables up to 50mm (2 in) in thickness, and through grommets from 51 - 89mm (2 - 3.5 in) in diameter.

Cable Management: Supports down-routing of cables through the grommet for a clean appearance.

Product Dimensions

Tap with Riser Mount
2.4 x 9.6 x 6.9 in
102 x 244 x 174 mm

Compatibility

Logitech Tap
Table Thickness: 0.75 - 2.0 in (20 - 50 mm)
Grommet Diameter: 2.0 - 3.5 in (51 - 89 mm)

Inside the Box

Riser Mount Assembly
Cable Cinch
Documentation

Warranty

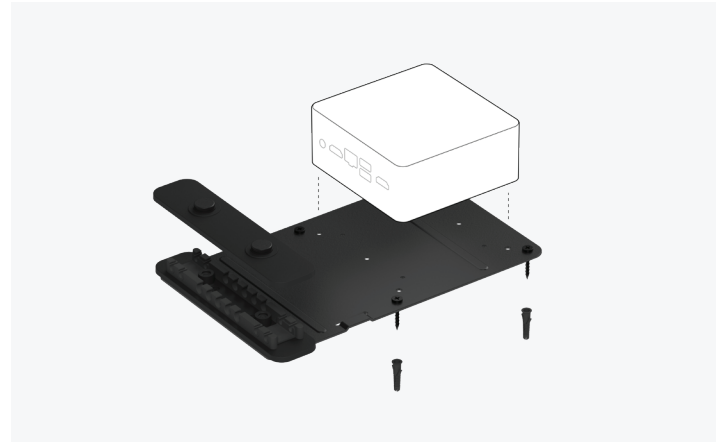
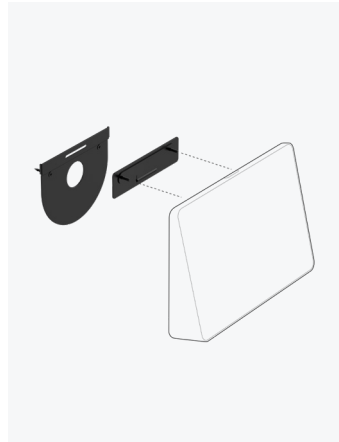
2-year limited hardware

Part Number

939-001814

Product Information

www.logitech.com/tap-riser-mount



WALL MOUNT

Flush Mounts to Any Wall: The plate and cleat construction adds virtually no thickness for a sleek appearance.

HDMI Cable Cinch: Hang an HDMI cable for easy access when deployed with applications that support wired content sharing.

In-Wall Cabling: Supports Tap's rear and bottom cable exits so you can route cabling either within or down the wall.

Product Dimensions

Tap with Wall Mount
2.3 x 9.6 x 7.0 in
58 x 244 x 179 mm

Compatibility

Logitech Tap

Inside the Box

Wall Mount Assembly (plate and cleat)
HDMI Cable Clip
Mounting Hardware
Documentation

Warranty

2-year limited hardware

Part Number

939-001817

Product Information

www.logitech.com/tap-wall-mount

PC MOUNT

For room solutions equipped with a mini PC or Google Meet compute system, add a PC Mount to secure the computer out of sight and out of harm's way.

Cable Retention: Two-piece cable retention clamp relieves strain and keeps USB, HDMI, power, and network cables tight and secure.

Fits Most SFF PCs: Robust steel mount fits small form factor (SFF) computers, Google Meet compute systems, and mounting plates with a 75mm or 100mm VESA pattern.

Hideaway Design: Includes hardware to mount a PC behind a display on the wall, or beneath a table.

Product Dimensions

PC Mount with Cable Retention Clamp
1.02 x 6.46 x 9.84 in
26 x 164 x 250 mm

Compatibility

Small form factor (SFF) computer with
75 x 75 mm or 100 x 100 mm VESA pattern

Inside the Box

PC mount
VESA Mounting Plate
Cable Retention Clamp
Mounting Hardware
Documentation

Warranty

2-year limited hardware

Part Number

939-001825

Product Information

www.logitech.com/pc-mount

Logitech Tap includes either the Cat5e Kit or Strong USB to connect Tap to the meeting room computer or conference camera with built-in compute. Both cabling options are available as standalone accessories, offering you the flexibility to switch to the one that best suits your deployment.



CAT5E KIT

All-Inclusive Kit: Custom-designed with all components and cabling required to supply power and connect Logitech Tap to a meeting room computer using Cat5e cable.

Category Cabling: Supplies both USB data and power, eliminating the need for a power outlet near Logitech Tap and freeing up more placement options for Tap in meeting rooms.

Minimal Clutter: Use the 10 meters of cable included with the Cat5e Kit or supply your own cabling for runs of up to 40 meters. Cat5e allows for precise cable lengths, reducing clutter beneath tables.

Compatibility

Cable Type: Cat5e or higher [up to 40 meters (131.23 ft) in total length]

Inside the Box

Logitech Tap Receiver
Dongle Transceiver
100-240v Power Supply with International Adaptor Set
2.97m/9.74 ft Cat5e Cable
7.0m/22.96 ft Cat5e Cable
Documentation

Warranty

2-year limited hardware

Part Number

952-000019

Product Information

www.logitech.com/cat5ekit

STRONG USB

In-Wall Rated: Aramid-reinforced, plenum-rated and Eca compliant for high pull-strength and durability in walls, above ceilings, or within standard 3/4" conduit.

Compatible: With support for USB 3.1, 3.0, and 2.0, the active optical cable is compatible with self-powered USB Type C devices like MeetUp and Rally Camera, or any USB Type C hub with its own power supply.

3 Length Options: Available in 10, 25, and 45 meter (32.8, 82, 147.6 ft) lengths.

Certifications

Plenum Rated
Eca/IEC 60332-1-2 Compliant

Inside the Box

Logitech Strong USB-A to USB-C Cable:
10, 25, or 45 meters (32.8, 82, or 147.6 ft)
USB-C extension cable for tight spaces:
152 mm (6 in)
Documentation

Warranty

2-year limited hardware

Part Numbers

10 Meter: 939-001799
25 Meter: 939-001802
45 Meter: 939-001805

Product Information

www.logitech.com/strong-usb



www.logitech.com/Tap

Contact your reseller
or contact us at

www.logitech.com/vcsales

Logitech Americas
7700 Gateway Blvd.
Newark, CA 94560 USA

Logitech Europe S.A.
EPFL - Quartier de l'Innovation
Daniel Borel Innovation Center
CH - 1015 Lausanne

Logitech Asia Pacific Ltd.
Tel : 852-2821-5900
Fax : 852-2520-2230

© 2021 Logitech. Logitech, the Logitech logo and other Logitech marks are owned by Logitech and may be registered. All other trademarks are the properties of their respective owners. Logitech assumes no responsibility for any errors that may appear in this publication. Product, pricing and feature information contained herein is subject to change without notice.

Published January 2021