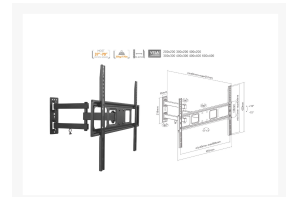
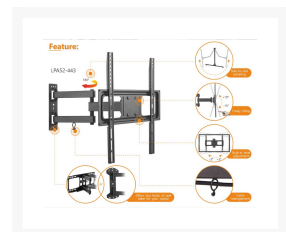
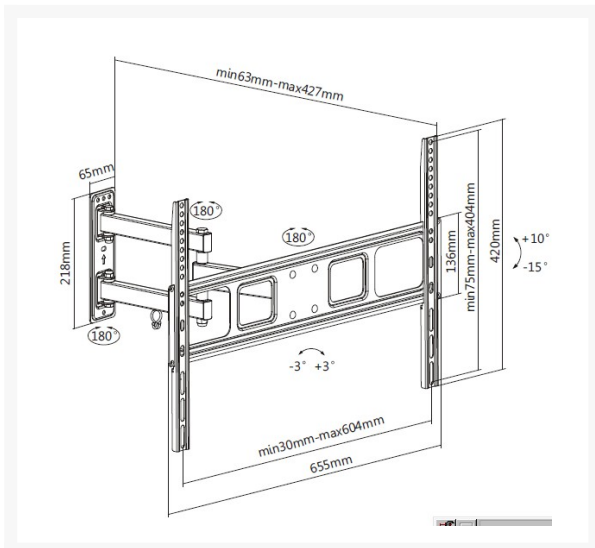


# 650342 37"-70" Articulating TV Wall Bracket

## Product Images

---





## Short Description

- Max. Load Capacity: 35Kg
- Max. VESA: 600x400
- Full motion mount
- VESA standards compliant
- Free-tilting design for multiple monitor viewing angles
- Level adjustment ensures perfect positioning
- Build-in cable management

## Description

The equip® TV Wall Mount Bracket is a compact but sturdy product that ensures a reliable installation of your LCD/TV. Follow the graphic guide included in the package, you can install your TV on your own with ease. The wall bracket fits most of the wall materials- brick, concrete and wood, making the ideal choice for you to set up your screens.

## Additional Information

---

Harmonized System (HS) code	852990
Customs product code (TARIC)	8529909700
Color	Black
EAN	4015867225455
Model Number	650342
Approval and Compliance	ROHS
Package Contents	650342 Manual screws kits
Mounting hole pattern	Standard VESA
Anti-theft	No
Cable management	Yes
Bracket type	Tiltable and Swivel
Installation	Solid Wall,Single Stud
Distance to wall (Profile)	63~427mm
Load Capacity (kg)	35kg
Material	Stainless Steel
Pan (Swivel) range	+90°~-90°
Screens support quantity	1
Support Curved TV (Monitors)	Yes
Tilt range	+10°~-15°
VESA compatibility	100x200,200x200,300x200, 300x300,400x200,400x300, 400x400,600x400
Mount	Wall mount
Dimensions (W x D x H)	655 x 420 x 427 mm
Product weight (kg)	3.12

